

D

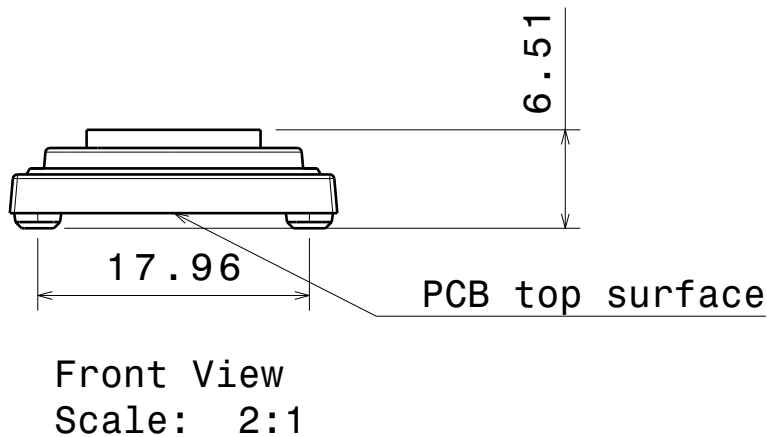
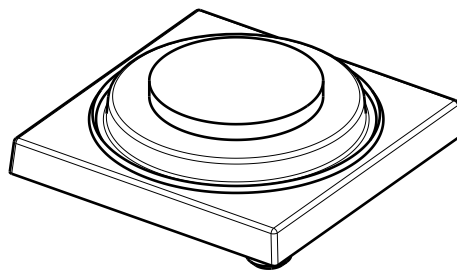
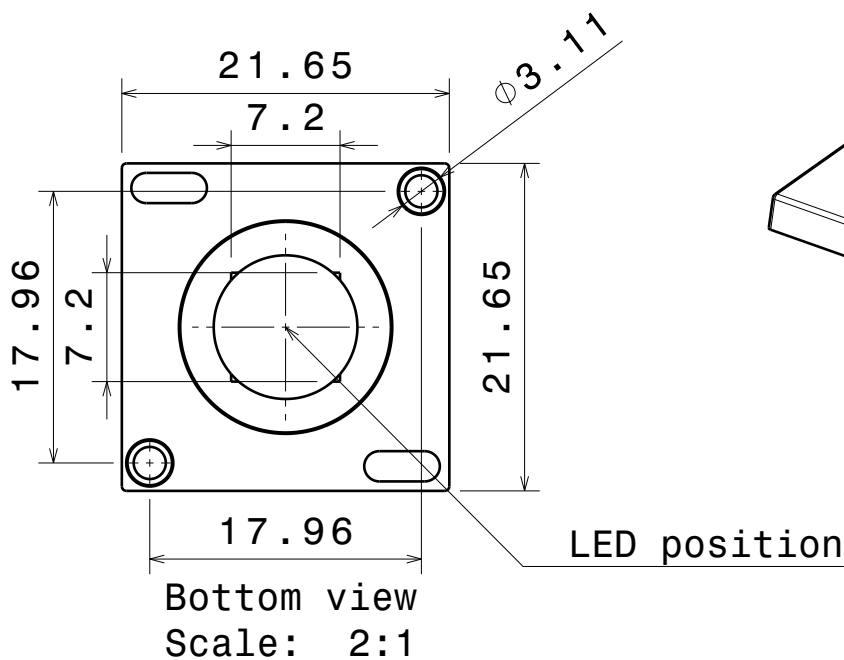
C

B

A

DATE

02.06.2020



PART	TYPE	MATERIAL	COLOR / COATING
F17826_VIOLETTA-W			

## MECHANICAL DRAWING

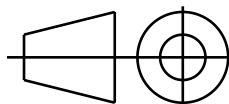
PRODUCT

VIOLETTA

# LEDiL<sup>®</sup>

Plastic moulding general tolerances according to DIN 16901-130 and applies if not otherwise shown in the drawing.  
Silicone moulding general tolerances according to ISO 3302-1 Class M3 and applies if not otherwise shown in the drawing.

FIRST ANGLE PROJECTION:



This drawing is the property of LEDiL Oy. It may not be copied or otherwise distributed without prior written permission from LEDiL Oy.

SCALE 2:1

WEIGHT -

A4 SHEET 1/1

D

A